

# SUPERLOCK DIGITAL RAPIDRESET DOUBLE-SIDED



- G 10 second code change** - Update the code fast with the code change button without taking the lock off the gate.
- G Easy to fit** - Slim 70mm (2-3/4") wide lock case along with adjustable and removable latchbolt ensure easy installation. **No power or battery needed.**
- G Easy to operate handle** - Designed particularly for those with mobility issues who find gripping and turning difficult.
- G Highly Secure** - The latchbolt moves 15mm (5/8") ensuring the bolt enters deep into the gatepost.
- G Anti-climb handle** - This lock is also fitted with an anti-climb handle to prevent intruders using the handle as a foot hold to climb the gate.
- G Long-lasting & durable** - Purpose-engineered for outdoor use with anti-corrosion and stainless steel construction.

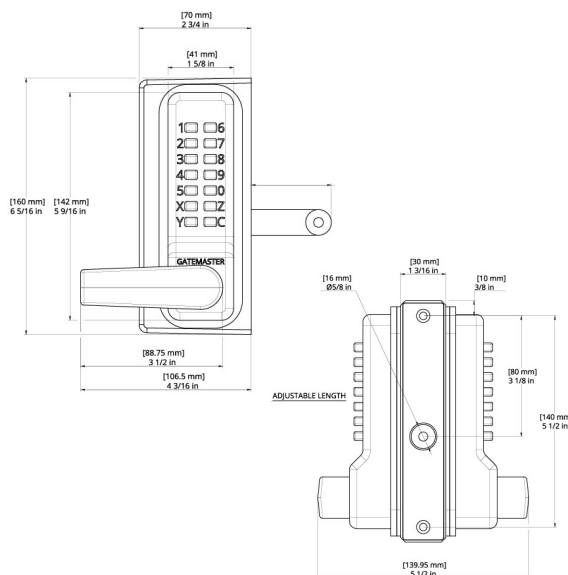
## PRODUCT DETAILS

Product code:	Description:
BDGRR1030	To fit 10-30mm (1/2" - 1-1/4") gate frames
BDGRR4060	To fit 40-60mm (1-1/2" - 2-1/4") gate frames



## INSTALLATION

1. Drill 2 x 9mm (3/8") holes at 140mm (5 1/2") centres for fixing bolts provided.
2. Drill 18mm (3/4") clearance hole for the latchbolt at 60mm (2 3/8") centres up from the bottom fixing hole.
3. Fix the handles to the square spindles so that the handles are facing away from the latchbolt and secure using the hex key supplied.
4. Hold the lock against the back of the box section and screw on the latchbolt through the larger hole.
5. Lock the latchbolt with the hex key supplied by inserting the hex key into the end of the latchbolt.
6. Fix lock in place using the stainless steel bolt support plate and the countersunk screws provided. Ensure the latchbolt moves freely.
7. Fix strike plate by either welding or screw fixing onto the gate post.
8. **MAINTENANCE** Every 6 months, lubricate the latchbolt with light oil. Annually, dismantle the lock and spray mechanism with light oil.
9. If you have any problems with the latch bolt sticking, drill out the latch bolt hole as this should alleviate the issue.



VISIT [GATEMASTERLOCKS.COM](http://GATEMASTERLOCKS.COM) FOR MORE INFORMATION



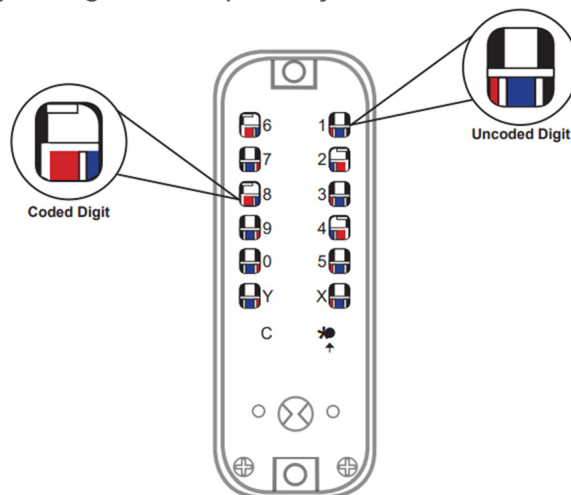
## LOCK CODE:

C \_\_\_\_\_

## TO CHANGE THE CODE

To change the code you will need to know what the keypad is currently set to and have the code change key.

1. Enter existing code.
2. Fully press and hold the code change key \* (until step 5)
3. Press 'C' button to clear the existing code.
4. Press the digits that are to be in the new code. Once the new code has been entered, press all the digits in the code once again to ensure that all the digits in the code are set.
5. Release the code change key from hole in the \* button.
6. Press 'C' button or rotate the lever handle to set the new code.
7. The new code is now set and ready for use.
8. Check that the code is working and that it is withdrawing the latch/deadbolt before closing the door/gate.
9. If you change the code and can't remember what you changed it to you will need to be able to take the lock off the gate, which means you would have to be inside the property. Once you have unscrewed the keypad you will be able to see what the code is by looking at the red panels by the numbers or letters. See diagram below. The code can be entered in any order.



## HANDING

As the screws on the back panel are external rather than internal make sure this side of the lock is fitted to the safe side (inside of the gate).

If you need to change handing, this is simple to do:

1. Take the handles off by first taking out the rubber stop in the side of the handle, unscrew the grub using a 2.5mm hex key. The handle can now be removed, turn the handle over so it is facing towards the latch bolt.
2. Do the same for the other side.
3. Take off the keypad by unscrewing the external screws using 3mm hex key. There is a screw at the top and the bottom of the keypad, this might be obscured by the handle.
4. Remove the keypads on both sides.
5. Place the keypads back on the opposite sides to where they started making sure the spindles go through the right holes, the handles should now be facing away from the latch bolt. Place the screws back in and tighten to secure the keypads. Make sure the shorter screw goes in the top and longer one at the bottom.

 **GATEMASTER**

VISIT [GATEMASTERLOCKS.COM](http://GATEMASTERLOCKS.COM) FOR MORE  
INFORMATION

